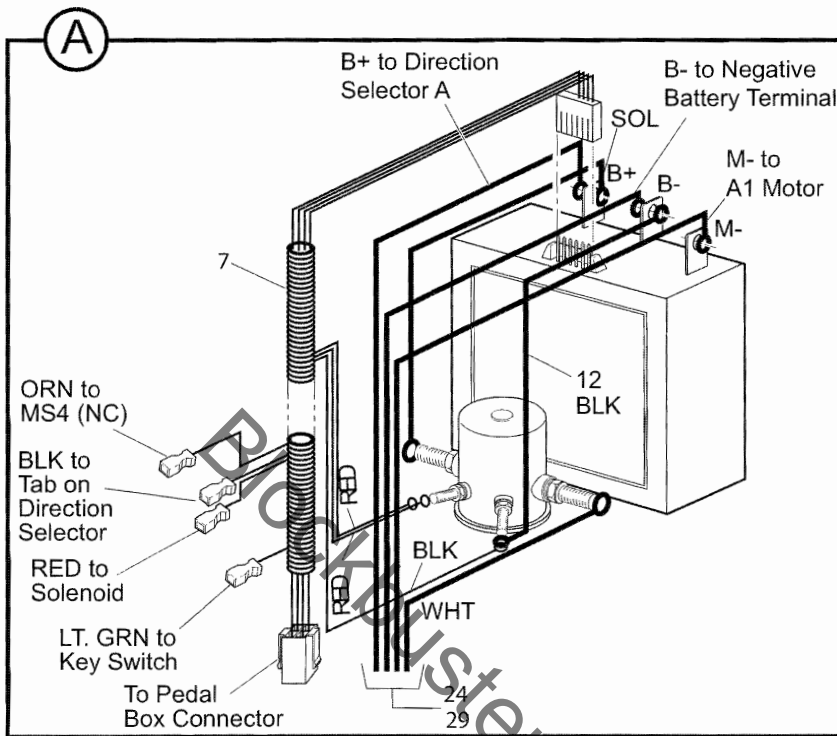
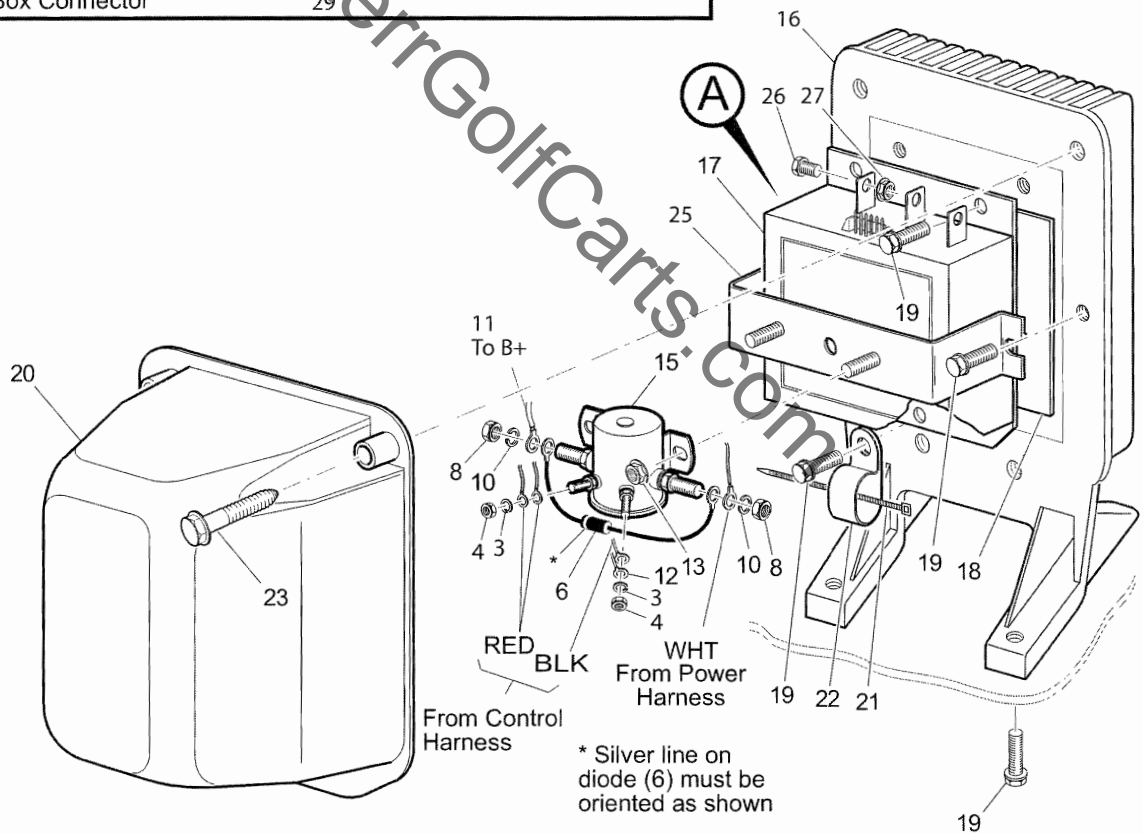


# ELECTRONIC SPEED CONTROL - SERIES



- 1 - Includes Items 3-27
- 2 - Includes Items 3-10 & 12-29



Ref Esc 1-1